

# Nirbo

Pool Climbing Walls



Nirbo pool climbing walls are made of high quality stainless steel and engineering plastics, they are very durable and have excellent fun factor.

Manufacturing design and construction is in full compliance with ASTM Standard F2461.

## Straight-Three Panels-Double | P30010-02

Min Water Depth	Freeboard (deck to water level)
78" (2 m)	8" (0.2 m)

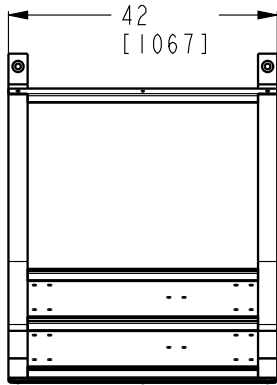
Width	Depth	Height
84" (2134 mm)	51" (1302 mm)	157" (3998 mm)

### Nirbo Aquatic Inc.

2400 Lucknow Drive, unit 39, Mississauga, ON L5S 1T9, Canada  
 Toll Free: 1.888.68.NIRBO (64726) | Tel: 1.905.766.4474 | Fax: 1.905.766.4467  
 Website: [www.nirbo.com](http://www.nirbo.com) | Email: [info@nirbo.com](mailto:info@nirbo.com)

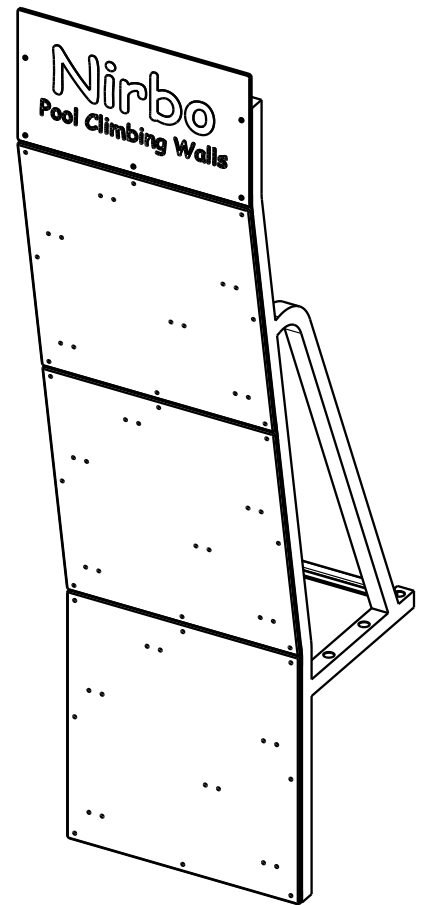
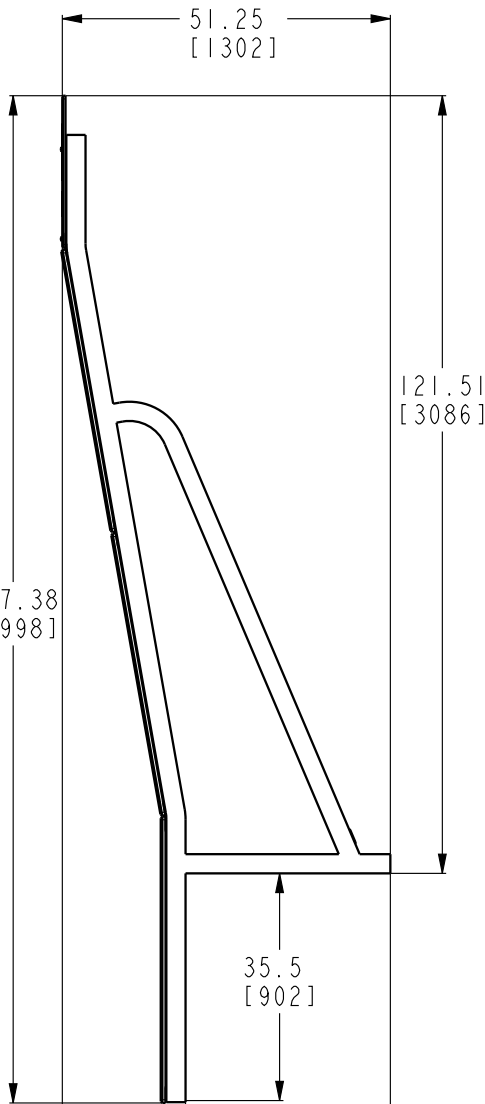
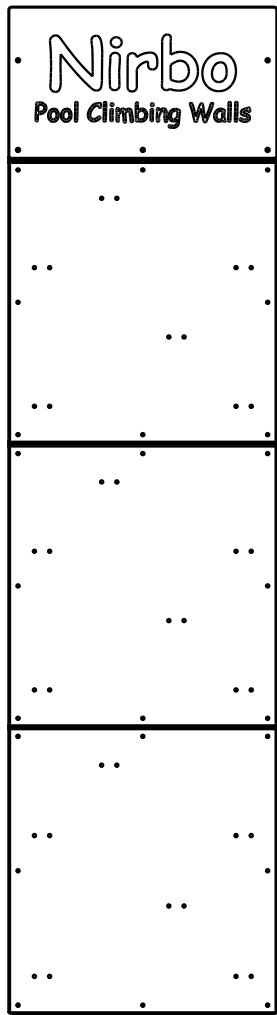
2

1



B

B



A

A

NOTES:

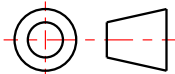
- 1- STRUCTURE: TYPE 304 STAINLESS STEEL
- 2- FINISH: POLISHED
- 3- PANELS: ENGINEERING PLASTICS

**NIRBO**

ALL INFORMATION CONTAINED  
IN THIS DOCUMENT IS PROPERTY  
OF NIRBO AND IT MAY NOT BE  
REPRODUCED OR COMMUNICATED  
WITHOUT PERMISSION IN  
WRITING FROM NIRBO.

DATE  
(yyyy.mm.dd)  
2022.11.17

POOL CLIMBING WALL



UNIT  
INCH  
[mm]

SHEET  
1 / 3

DRAWING NO  
P30010-01-D15

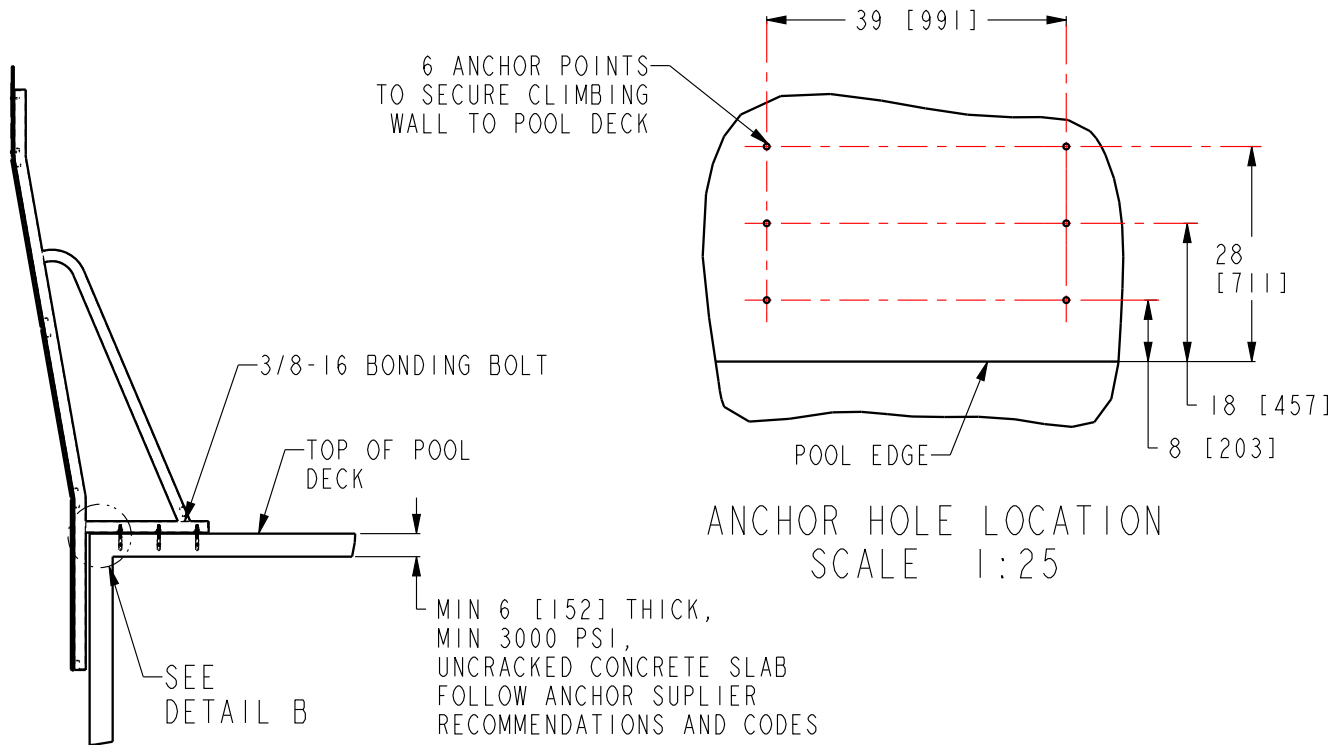
REV  
A

2

1

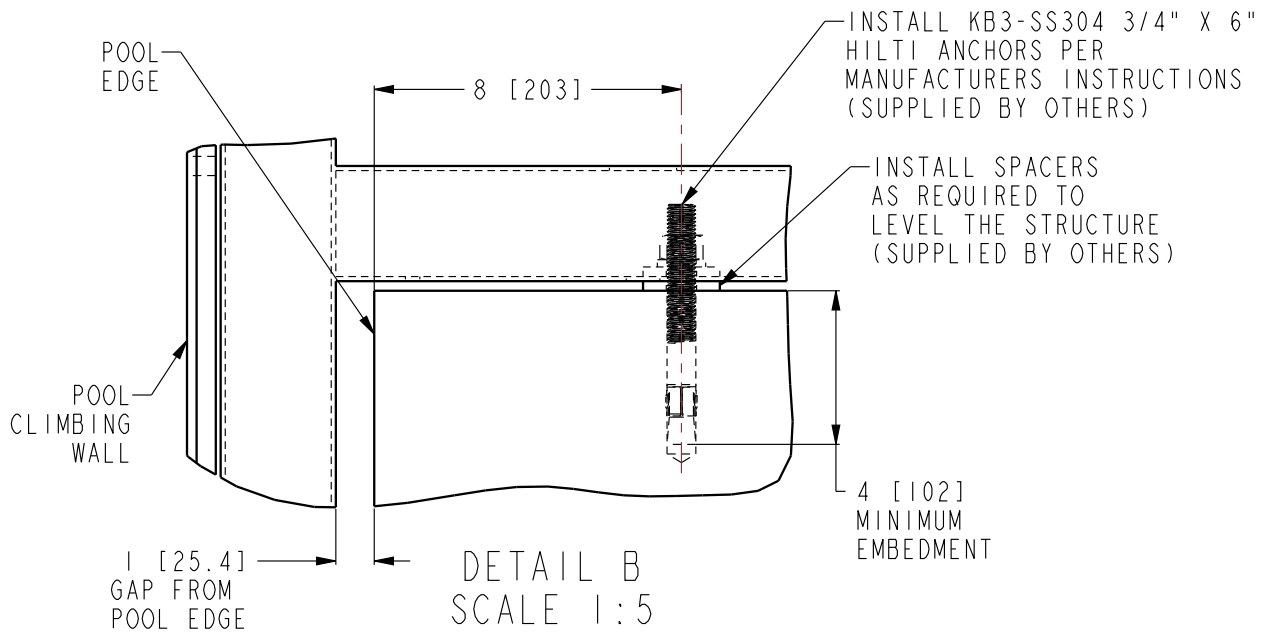
B

B



A

A



NOTES:

- 1- FOLLOW LOCAL CODES AS REQUIRED.
- 2- BOND COMPONENT AS REQUIRED PER LOCAL CODES.
- 3- HARDWARE SUPPLIED BY MANUFACTURER SHALL BE USED FOR PRODUCT ASSEMBLY.

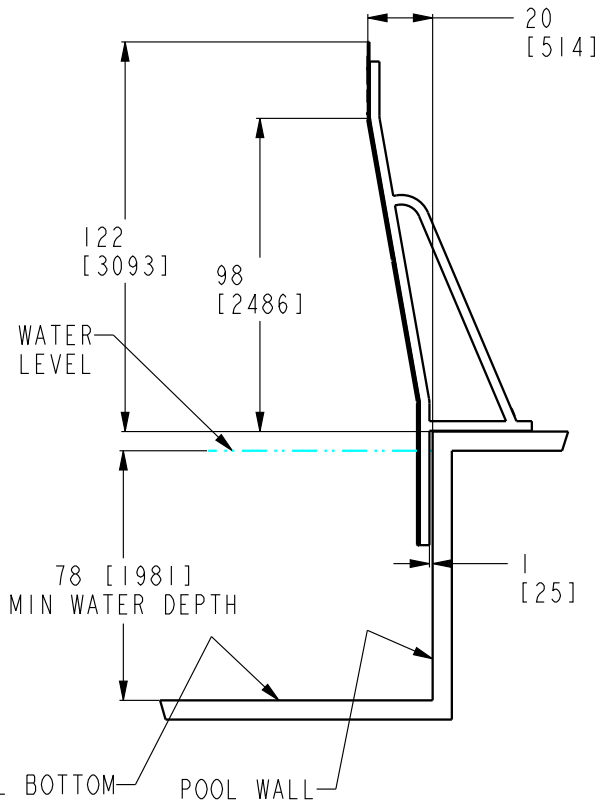
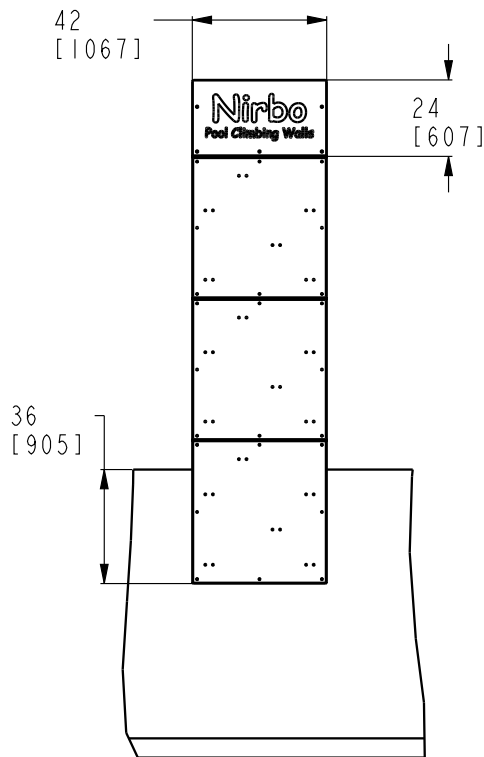
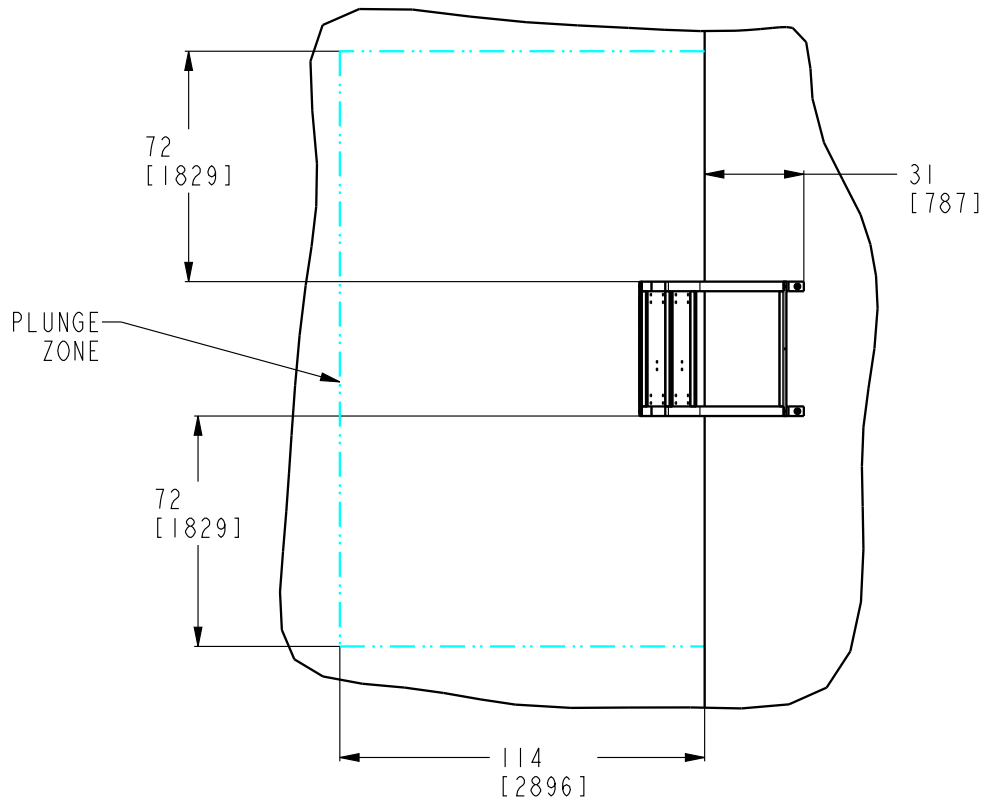
<b>NIRBO</b>	ALL INFORMATION CONTAINED IN THIS DOCUMENT IS PROPERTY OF NIRBO AND IT MAY NOT BE REPRODUCED OR COMMUNICATED WITHOUT PERMISSION IN WRITING FROM NIRBO.	DATE (yyyy.mm.dd) 2022.11.17	POOL CLIMBING WALL INSTALLATION		
		UNIT INCH [mm]	SHEET 1/2	DRAWING NO P40001-01	REV 01

B

B

A

A

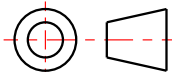


**NIRBO**

ALL INFORMATION CONTAINED  
IN THIS DOCUMENT IS PROPERTY  
OF NIRBO AND IT MAY NOT BE  
REPRODUCED OR COMMUNICATED  
WITHOUT PERMISSION IN  
WRITING FROM NIRBO.

DATE  
(yyyy.mm.dd)  
2022.11.17

POOL CLIMBING WALL  
INSTALLATION



UNIT  
INCH  
[mm]

SHEET  
2 / 2

DRAWING NO  
P40001-01

REV  
01