

# Nirbo

Pool Climbing Walls



Nirbo pool climbing walls are made of high quality stainless steel and engineering plastics, they are very durable and have excellent fun factor.

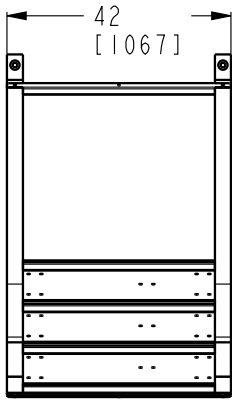
Manufacturing design and construction is in full compliance with ASTM Standard F2461.

## **Straight-Four Panels-Single** | P30012-01

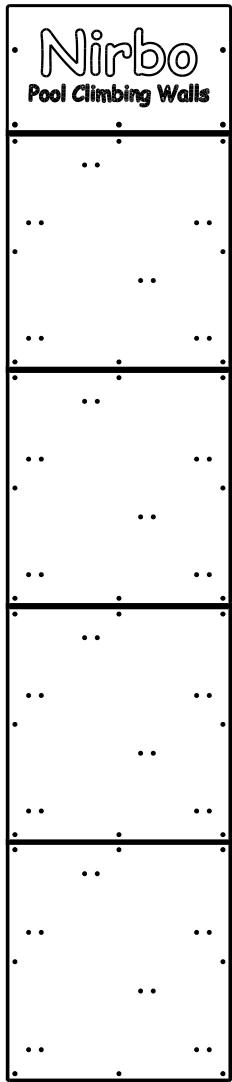
|                 |                                 |                |
|-----------------|---------------------------------|----------------|
| Min Water Depth | Freeboard (deck to water level) |                |
| 96" (2.4 m)     | 8" (0.2 m)                      |                |
| Width           | Depth                           | Height         |
| 42" (1067 mm)   | 64" (1627 mm)                   | 202" (5123 mm) |

### **Nirbo Aquatic Inc.**

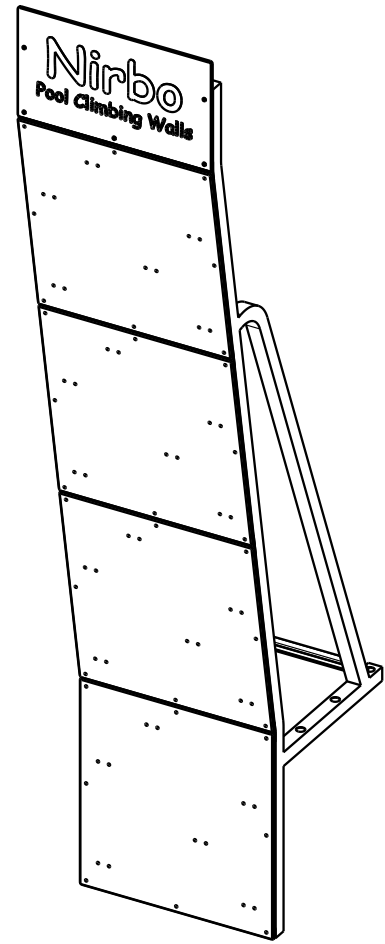
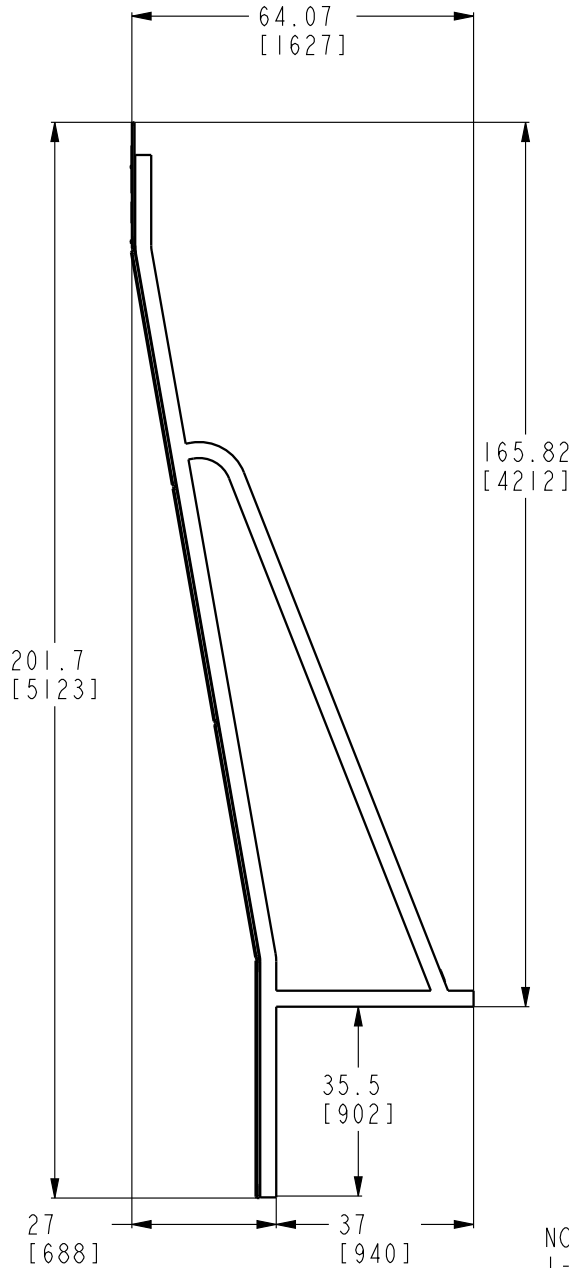
2400 Lucknow Drive, unit 39, Mississauga, ON L5S 1T9, Canada  
 Toll Free: 1.888.68.NIRBO (64726) | Tel: 1.905.766.4474 | Fax: 1.905.766.4467  
 Website: [www.nirbo.com](http://www.nirbo.com) | Email: [info@nirbo.com](mailto:info@nirbo.com)



B



A



B

A

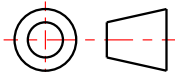
NOTES:  
 1- STRUCTURE: TYPE 304 STAINLESS STEEL  
 2- FINISH: POLISHED  
 3- PANELS: ENGINEERING PLASTICS

**NIRBO**

ALL INFORMATION CONTAINED  
 IN THIS DOCUMENT IS PROPERTY  
 OF NIRBO AND IT MAY NOT BE  
 REPRODUCED OR COMMUNICATED  
 WITHOUT PERMISSION IN  
 WRITING FROM NIRBO.

DATE  
 (yyyy.mm.dd)  
 2022.11.17

POOL CLIMBING WALL

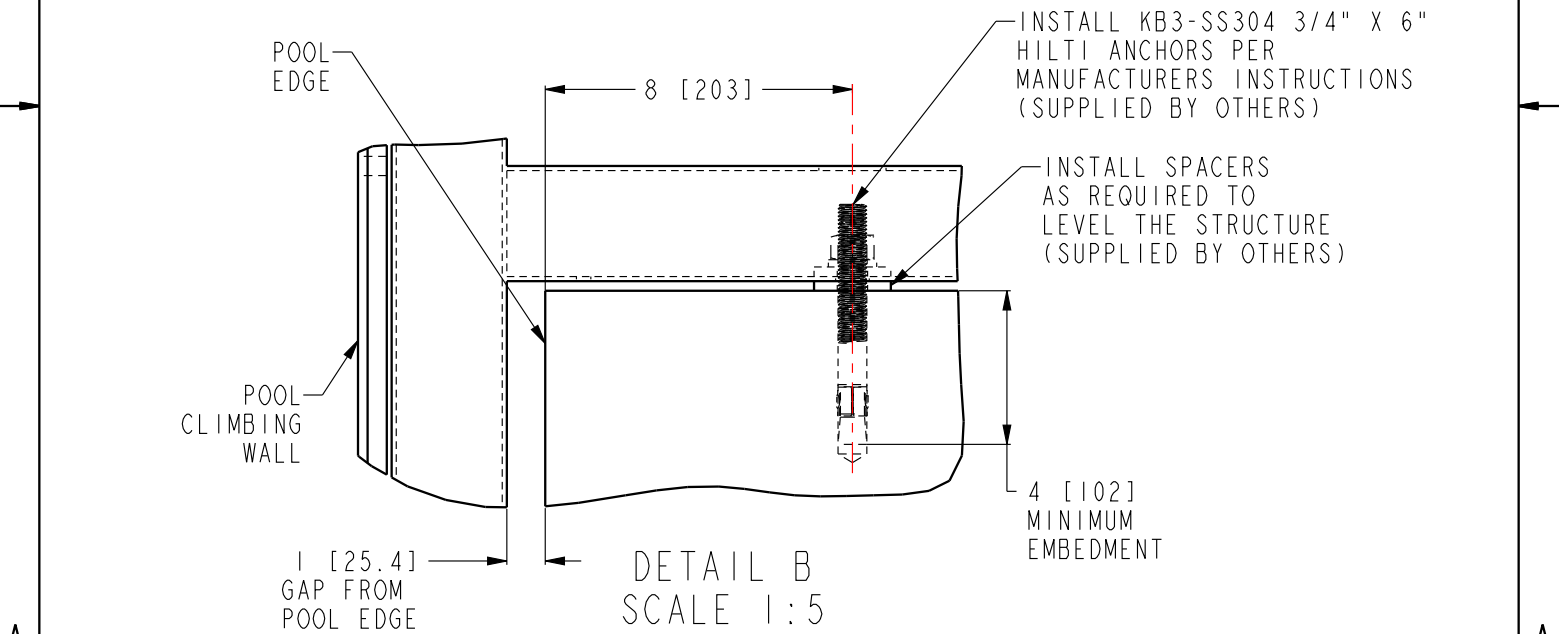
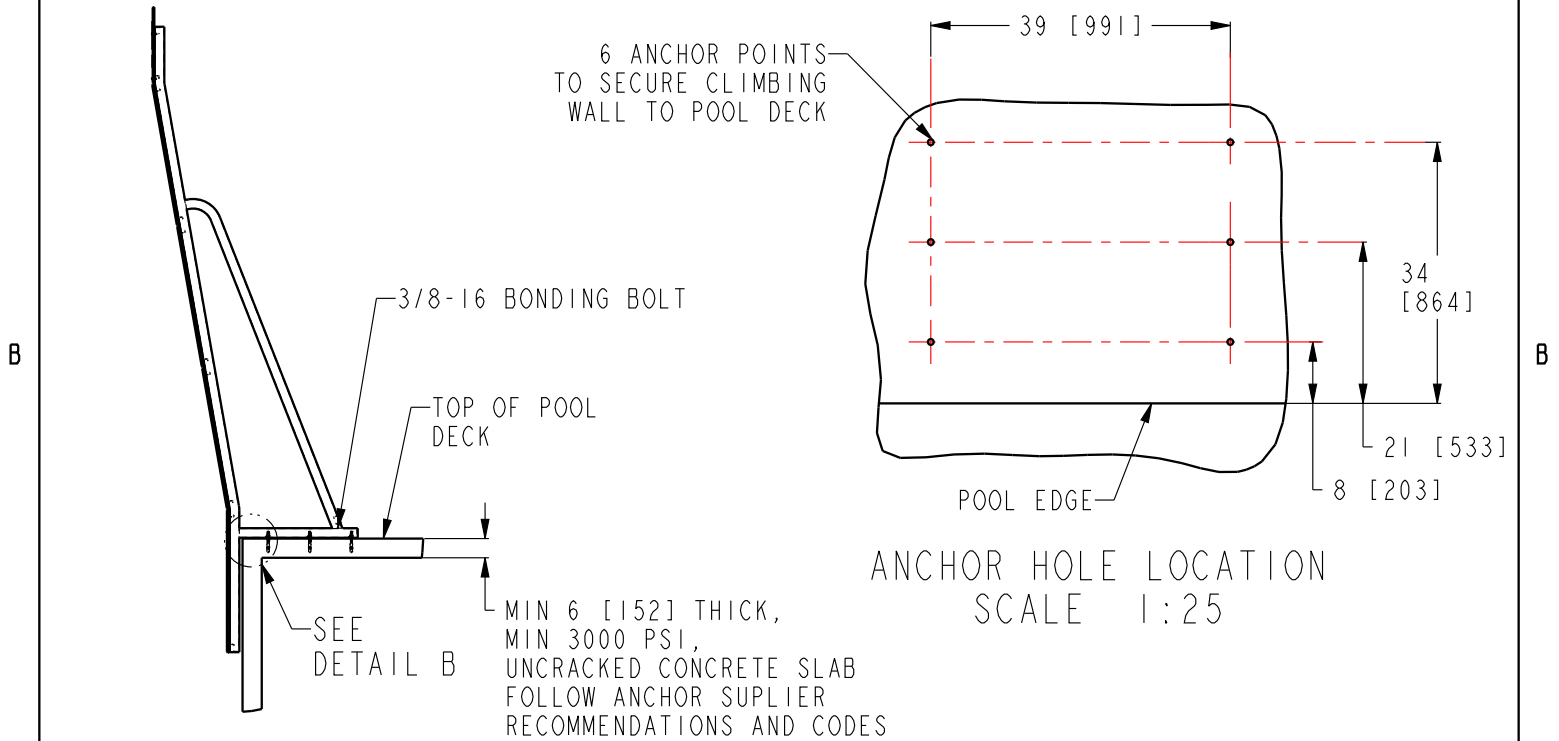


UNIT  
 INCH  
 [mm]

SHEET  
 1 / 3

DRAWING NO  
 P30012-01-D15

REV  
 A



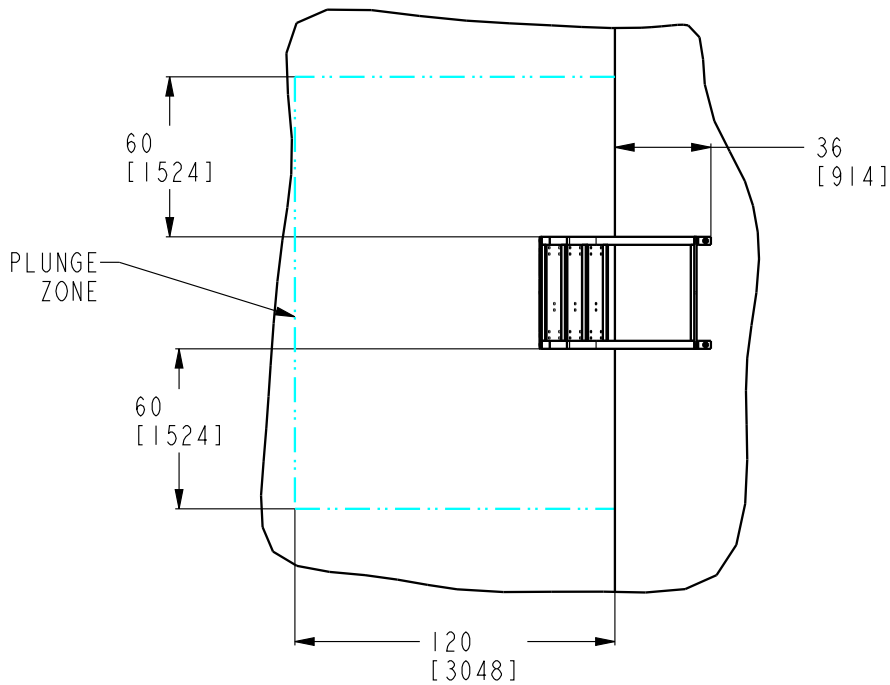
NOTES:

- 1- FOLLOW LOCAL CODES AS REQUIRED.
- 2- BOND COMPONENT AS REQUIRED PER LOCAL CODES.
- 3- HARDWARE SUPPLIED BY MANUFACTURER SHALL BE USED FOR PRODUCT ASSEMBLY.

|              |  |                      |                                    |                                    |           |
|--------------|--|----------------------|------------------------------------|------------------------------------|-----------|
| <b>NIRBO</b> | ALL INFORMATION CONTAINED IN THIS DOCUMENT IS PROPERTY OF NIRBO AND IT MAY NOT BE REPRODUCED OR COMMUNICATED WITHOUT PERMISSION IN WRITING FROM NIRBO. |                      | DATE<br>(yyyy.mm.dd)<br>2022.11.17 | POOL CLIMBING WALL<br>INSTALLATION |           |
|              |  | UNIT<br>INCH<br>[mm] | SHEET<br>1/2                       | DRAWING NO<br>P40003-01            | REV<br>01 |

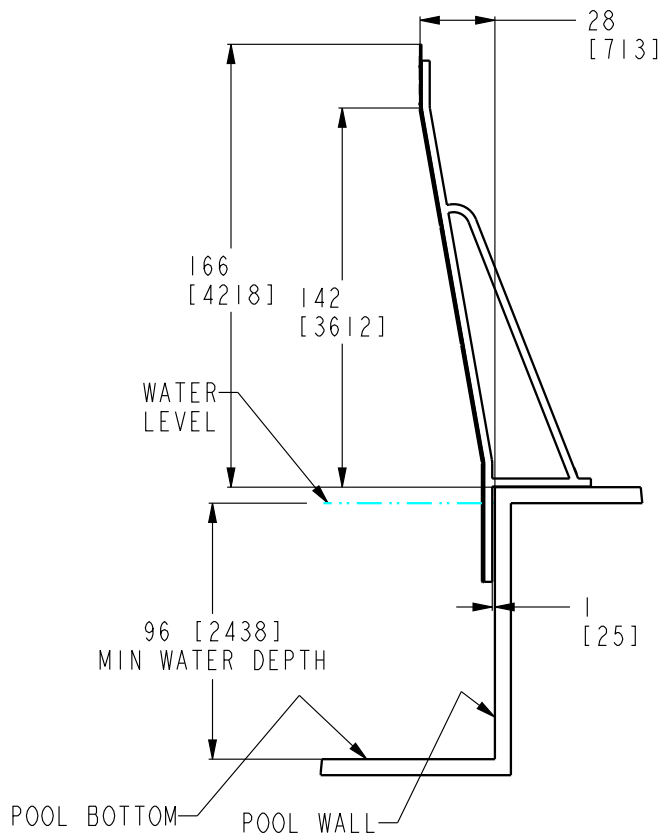
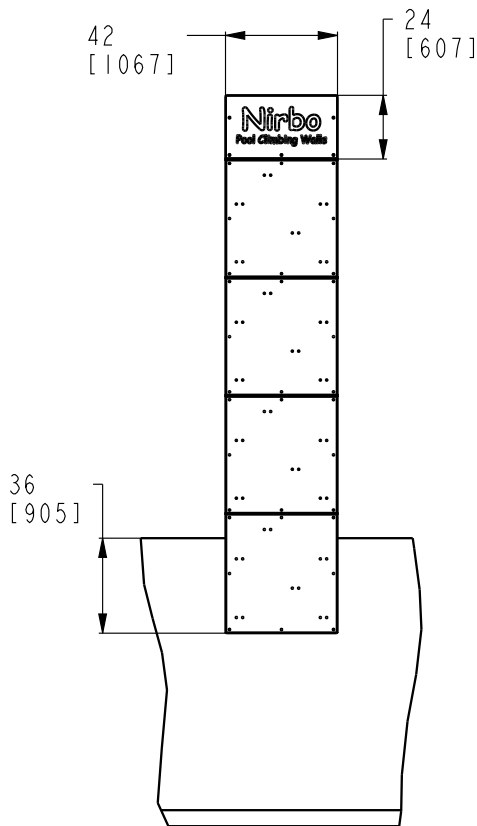
B

B



A

A

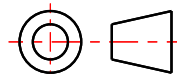


**NIRBO**

ALL INFORMATION CONTAINED  
IN THIS DOCUMENT IS PROPERTY  
OF NIRBO AND IT MAY NOT BE  
REPRODUCED OR COMMUNICATED  
WITHOUT PERMISSION IN  
WRITING FROM NIRBO.

DATE  
(yyyy.mm.dd)  
2022.11.17

POOL CLIMBING WALL  
INSTALLATION



UNIT  
INCH  
[mm]

SHEET  
2 / 2

DRAWING NO  
P40003-01

REV  
01