

Nirbo

Pool Climbing Walls



Nirbo pool climbing walls are made of high quality stainless steel and engineering plastics, they are very durable and have excellent fun factor.

Manufacturing design and construction is in full compliance with ASTM Standard F2461.

Curved-Four Panels-Triple | P30013-03

Min Water Depth	Freeboard (deck to water level)
96" (2.4 m)	8" (0.2 m)

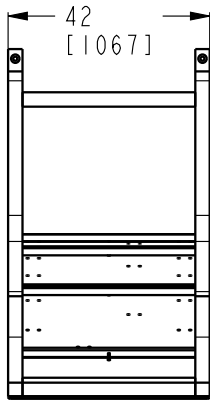
Width	Depth	Height
126" (3201 mm)	73" (1850 mm)	201" (5113 mm)

Nirbo Aquatic Inc.

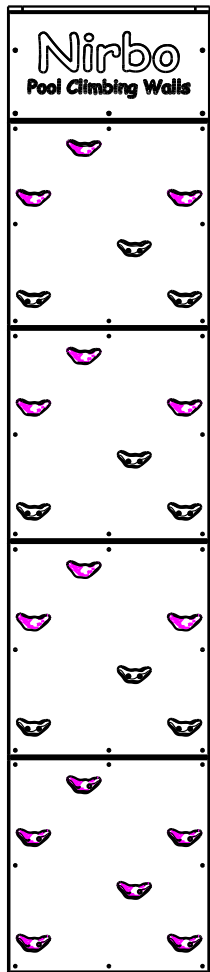
2400 Lucknow Drive, unit 39, Mississauga, ON L5S 1T9, Canada
 Toll Free: 1.888.68.NIRBO (64726) | Tel: 1.905.766.4474 | Fax: 1.905.766.4467
 Website: www.nirbo.com | Email: info@nirbo.com

2

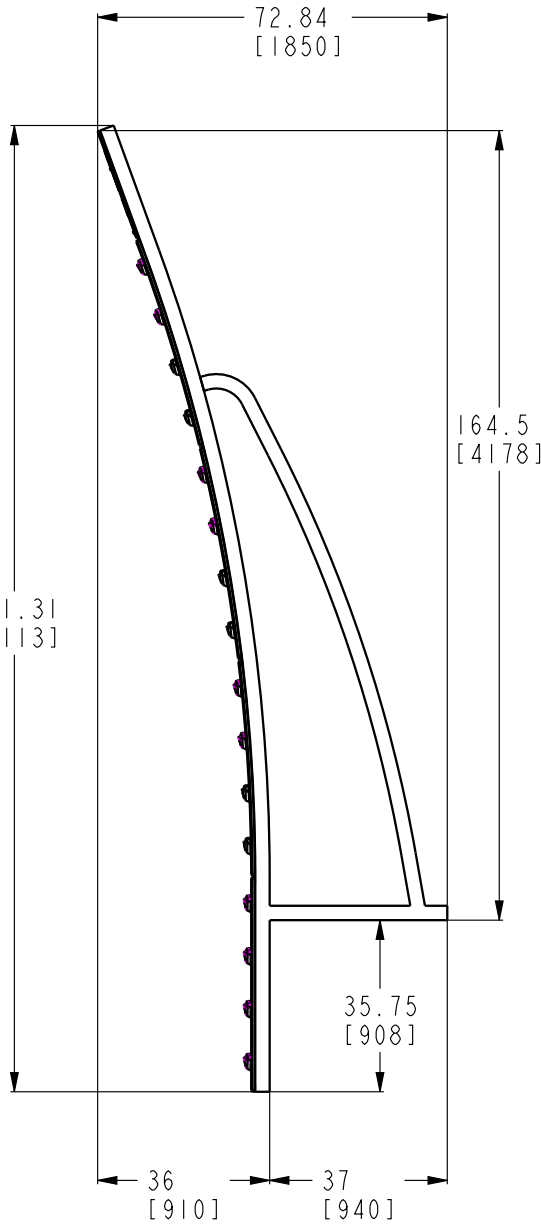
1



B



A



B

A

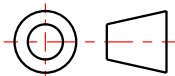
NOTES:
 1- STRUCTURE: TYPE 304 STAINLESS STEEL
 2- FINISH: POLISHED
 3- PANELS: ENGINEERING PLASTICS

NIRBO

ALL INFORMATION CONTAINED
 IN THIS DOCUMENT IS PROPERTY
 OF NIRBO AND IT MAY NOT BE
 REPRODUCED OR COMMUNICATED
 WITHOUT PERMISSION IN
 WRITING FROM NIRBO.

DATE
 (yyyy.mm.dd)
 2022.11.17

POOL CLIMBING WALL



UNIT
 INCH
 [mm]

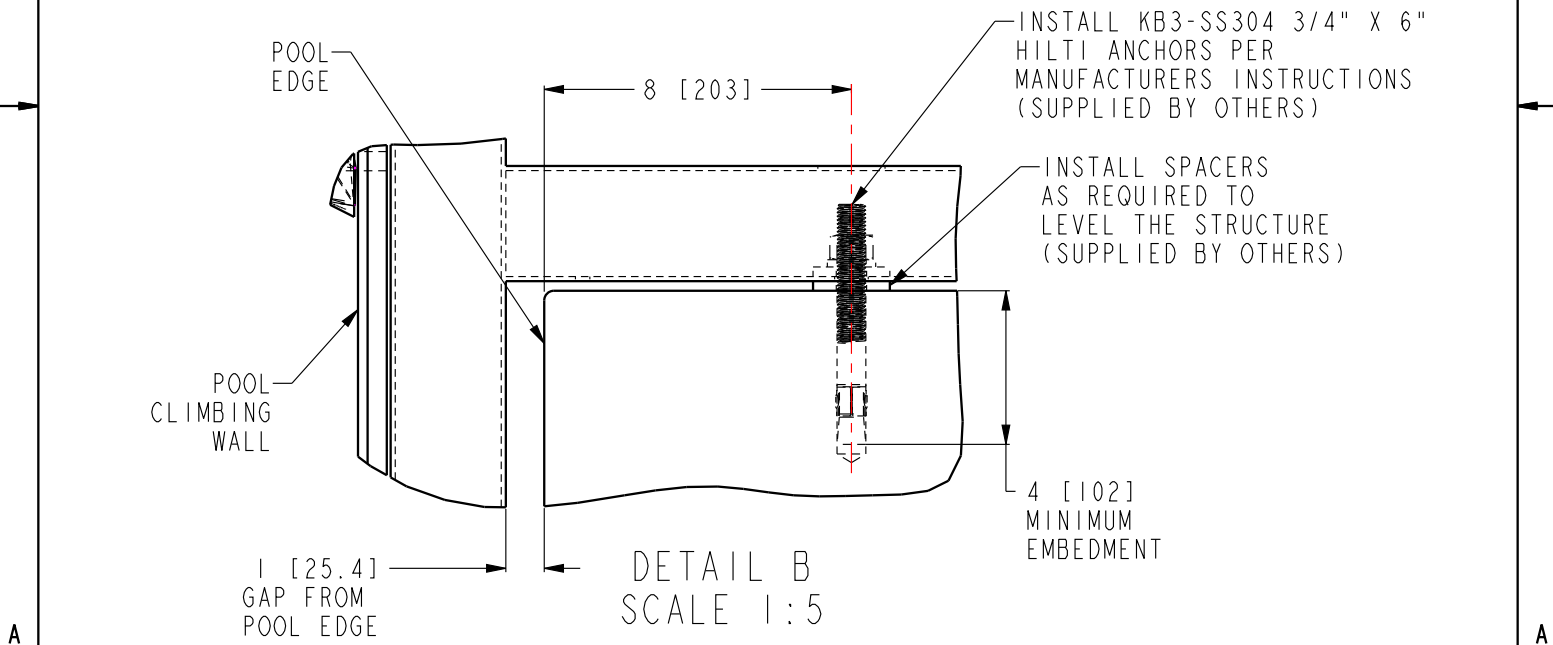
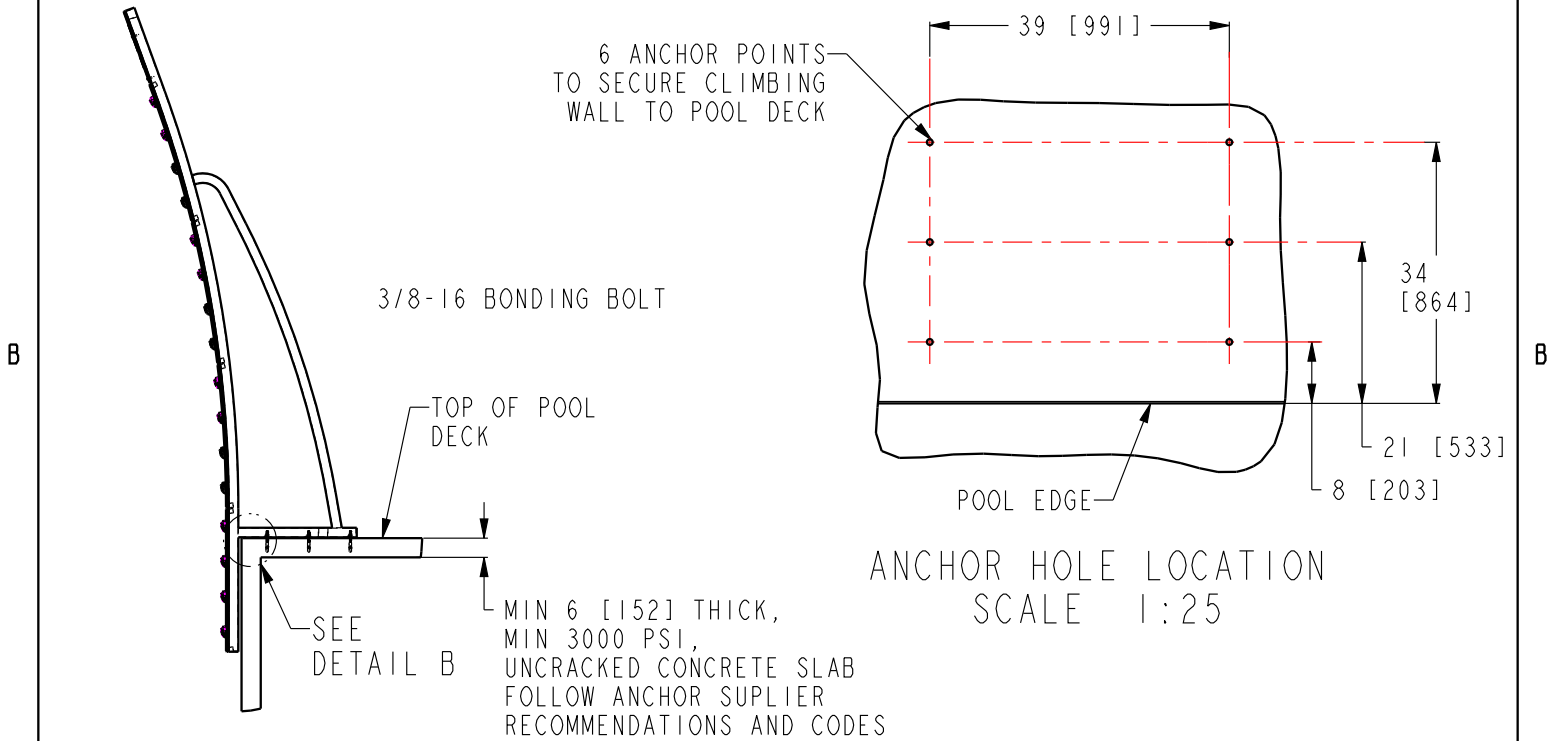
SHEET
 1 / 3

DRAWING NO
 P30013-01-D15

REV
 A

2

1



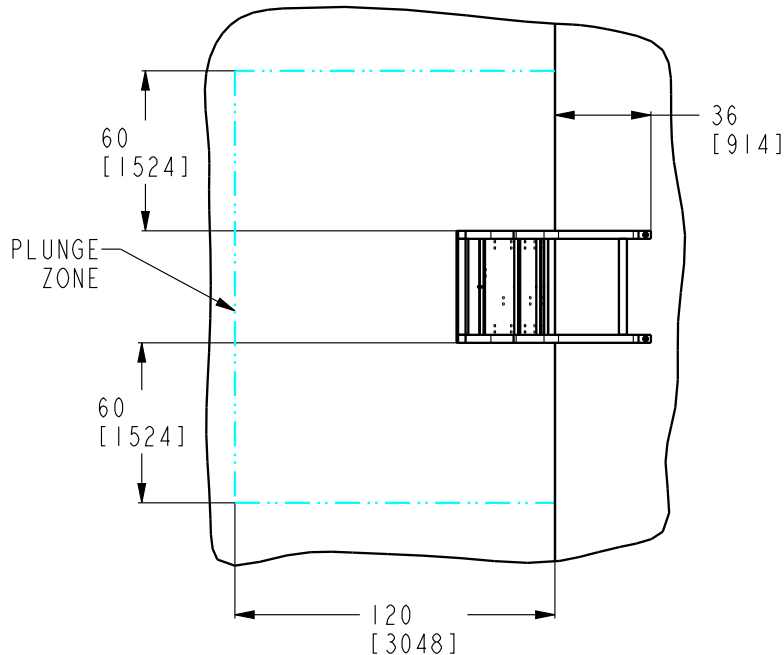
NOTES:

- 1- FOLLOW LOCAL CODES AS REQUIRED.
- 2- BOND COMPONENT AS REQUIRED PER LOCAL CODES.
- 3- HARDWARE SUPPLIED BY MANUFACTURER SHALL BE USED FOR PRODUCT ASSEMBLY.

NIRBO	ALL INFORMATION CONTAINED IN THIS DOCUMENT IS PROPERTY OF NIRBO AND IT MAY NOT BE REPRODUCED OR COMMUNICATED WITHOUT PERMISSION IN WRITING FROM NIRBO.		DATE (yyyy.mm.dd) 2022.11.17	POOL CLIMBING WALL INSTALLATION	
		UNIT INCH [mm]	SHEET 1/2	DRAWING NO P40004-01	REV 01

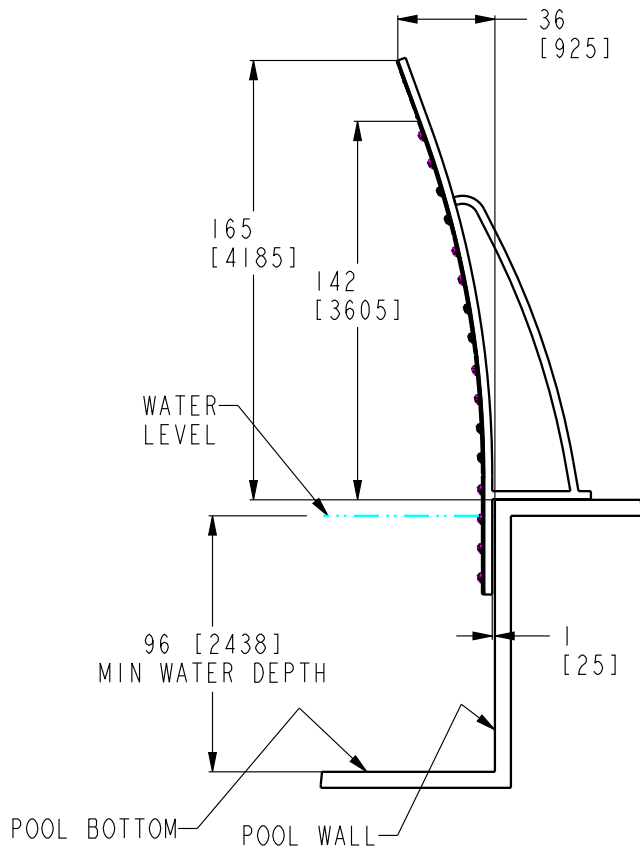
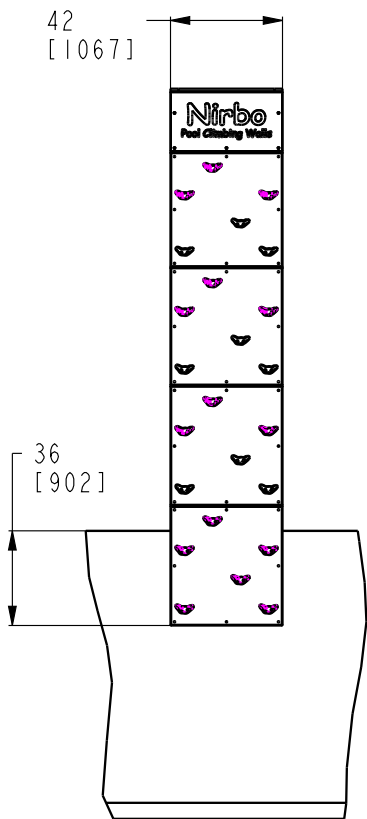
B

B



A

A

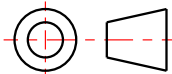


NIRBO

ALL INFORMATION CONTAINED
 IN THIS DOCUMENT IS PROPERTY
 OF NIRBO AND IT MAY NOT BE
 REPRODUCED OR COMMUNICATED
 WITHOUT PERMISSION IN
 WRITING FROM NIRBO.

DATE
 (yyyy.mm.dd)
 2022.11.17

POOL CLIMBING WALL
 INSTALLATION



UNIT
 INCH
 [mm]

SHEET
 2 / 2

DRAWING NO
 P40004-01

REV
 01