

Nirbo

Pool Climbing Walls



Nirbo pool climbing walls are made of high quality stainless steel and engineering plastics, they are very durable and have excellent fun factor.

Manufacturing design and construction is in full compliance with ASTM Standard F2461.

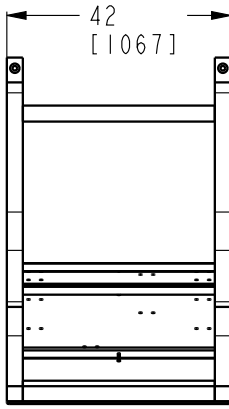
Curved-Three Panels-Double | P30014-02

Min Water Depth	Freeboard (deck to water level)
78" (2 m)	8" (0.2 m)

Width	Depth	Height
84" (2134 mm)	65" (1650 mm)	157" (3981 mm)

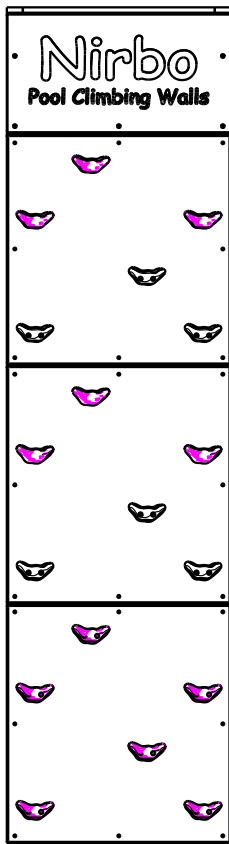
Nirbo Aquatic Inc.

2400 Lucknow Drive, unit 39, Mississauga, ON L5S 1T9, Canada
 Toll Free: 1.888.68.NIRBO (64726) | Tel: 1.905.766.4474 | Fax: 1.905.766.4467
 Website: www.nirbo.com | Email: info@nirbo.com



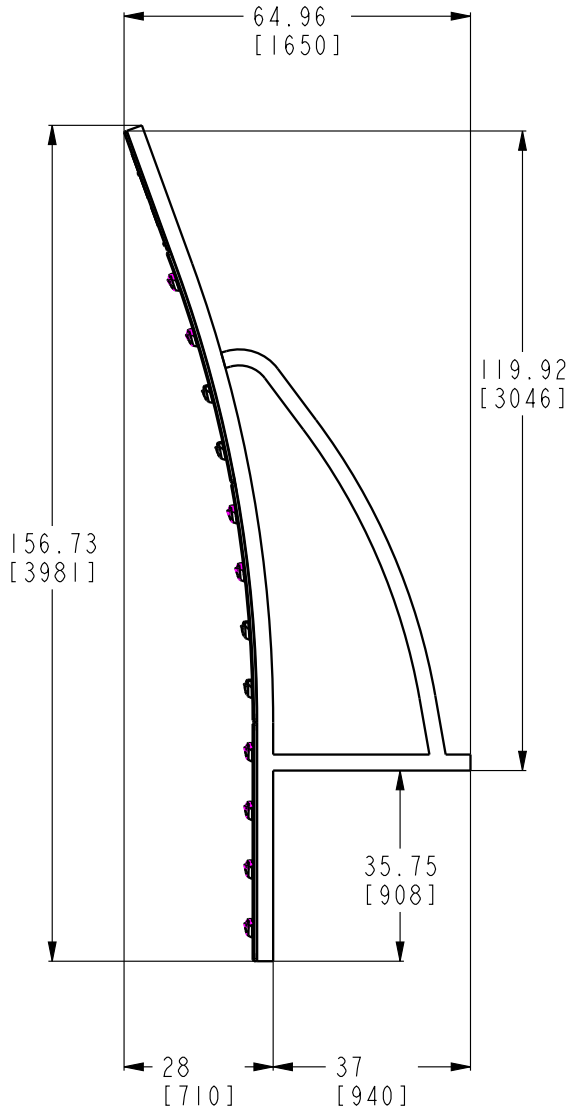
B

B



A

A



NOTES:

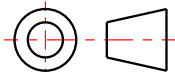
- 1- STRUCTURE: TYPE 304 STAINLESS STEEL
- 2- FINISH: POLISHED
- 3- PANELS: ENGINEERING PLASTICS

NIRBO

ALL INFORMATION CONTAINED
IN THIS DOCUMENT IS PROPERTY
OF NIRBO AND IT MAY NOT BE
REPRODUCED OR COMMUNICATED
WITHOUT PERMISSION IN
WRITING FROM NIRBO.

DATE
(yyyy.mm.dd)
2022.11.17

POOL CLIMBING WALL

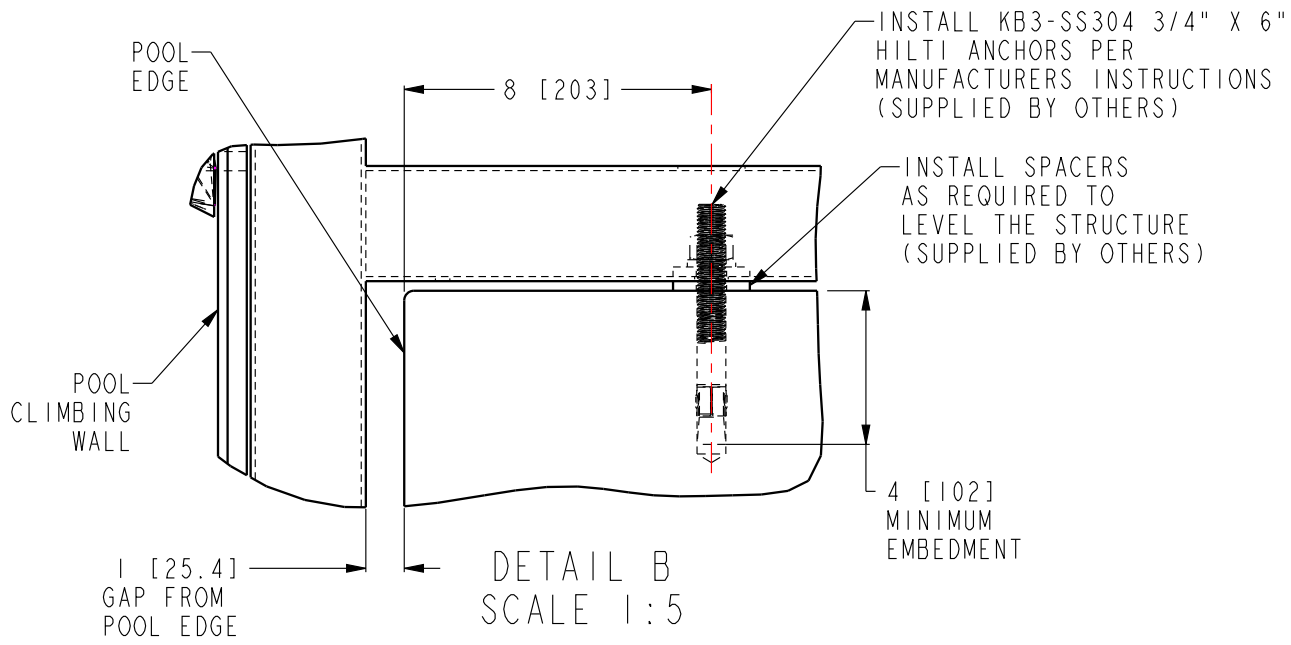
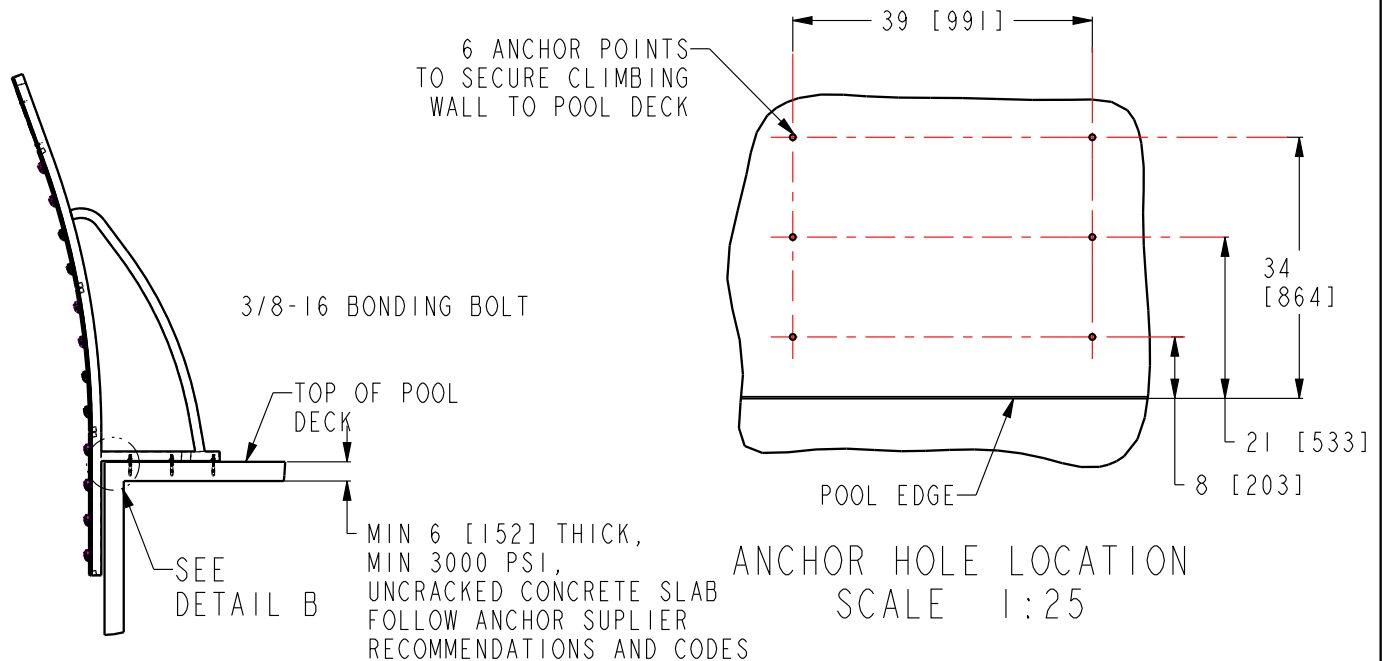


UNIT
INCH
[mm]

SHEET
1 / 3

DRAWING NO
P30014-01-D15

REV
A



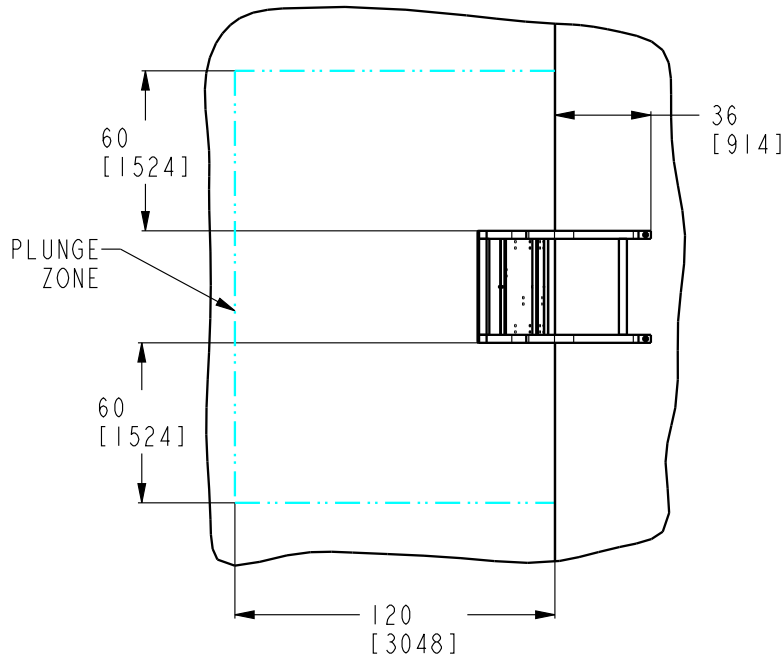
NOTES:

- 1- FOLLOW LOCAL CODES AS REQUIRED.
- 2- BOND COMPONENT AS REQUIRED PER LOCAL CODES.
- 3- HARDWARE SUPPLIED BY MANUFACTURER SHALL BE USED FOR PRODUCT ASSEMBLY.

NIRBO	ALL INFORMATION CONTAINED IN THIS DOCUMENT IS PROPERTY OF NIRBO AND IT MAY NOT BE REPRODUCED OR COMMUNICATED WITHOUT PERMISSION IN WRITING FROM NIRBO.	DATE (yyyy.mm.dd) 2022.11.17	POOL CLIMBING WALL INSTALLATION		
		UNIT INCH [mm]	SHEET 2/3	DRAWING NO P30014-01-D15	REV 01

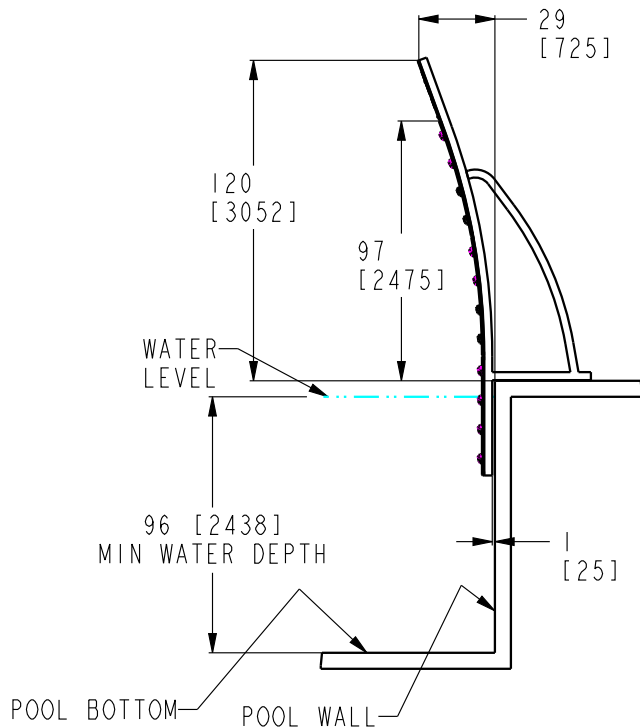
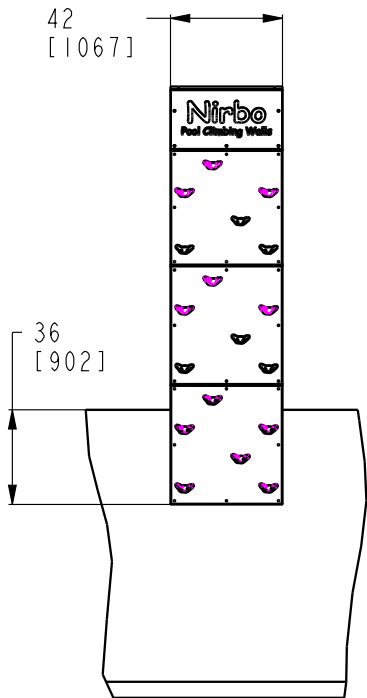
B

B



A

A

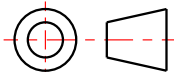


NIRBO

ALL INFORMATION CONTAINED
IN THIS DOCUMENT IS PROPERTY
OF NIRBO AND IT MAY NOT BE
REPRODUCED OR COMMUNICATED
WITHOUT PERMISSION IN
WRITING FROM NIRBO.

DATE
(yyyy.mm.dd)
2022.11.17

POOL CLIMBING WALL
INSTALLATION



UNIT
INCH
[mm]

SHEET
3 / 3

DRAWING NO
P30014-01-D15

REV
01